

Burns and Ferrall Locations

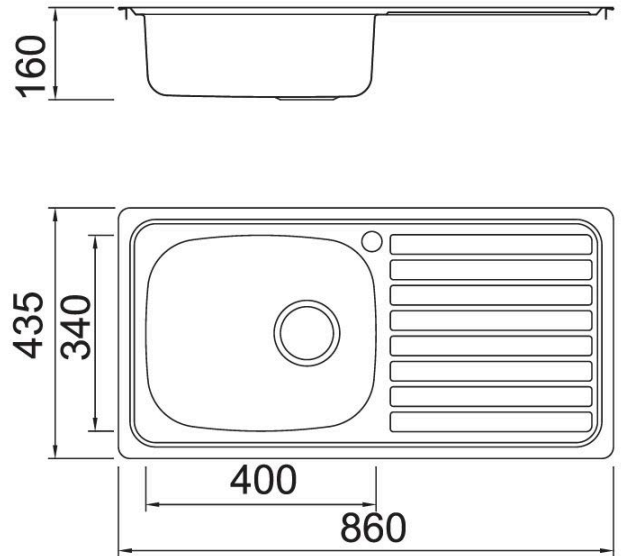
AUCKLAND
12 Reg Savory Place
East Tamaki, Auckland

0800 697 465

WELLINGTON
122-124 Tory Street
Te Aro

HAMILTON
60 Alexandra Street
Central

CHRISTCHURCH
345 St Asaph Street
Christchurch

**Product Specification
Sheet SLD90**

Slimline
B&F Slimline Single bowl and Drainer

Model: 14 SLD90

Overall: 860 x 435mm

Bowl: 400 x 340 x 160

Material: 0.8mm, 304 stainless steel

Installation: Top / Weld / Undermount

Profile: Rolled Edge

Min Cab Size: 450mm

E&OE – it is recommended all measurements are taken directly from the product. Specification subject to change without notice, always consult the literature supplied with the product. Coloured images are indicative only.